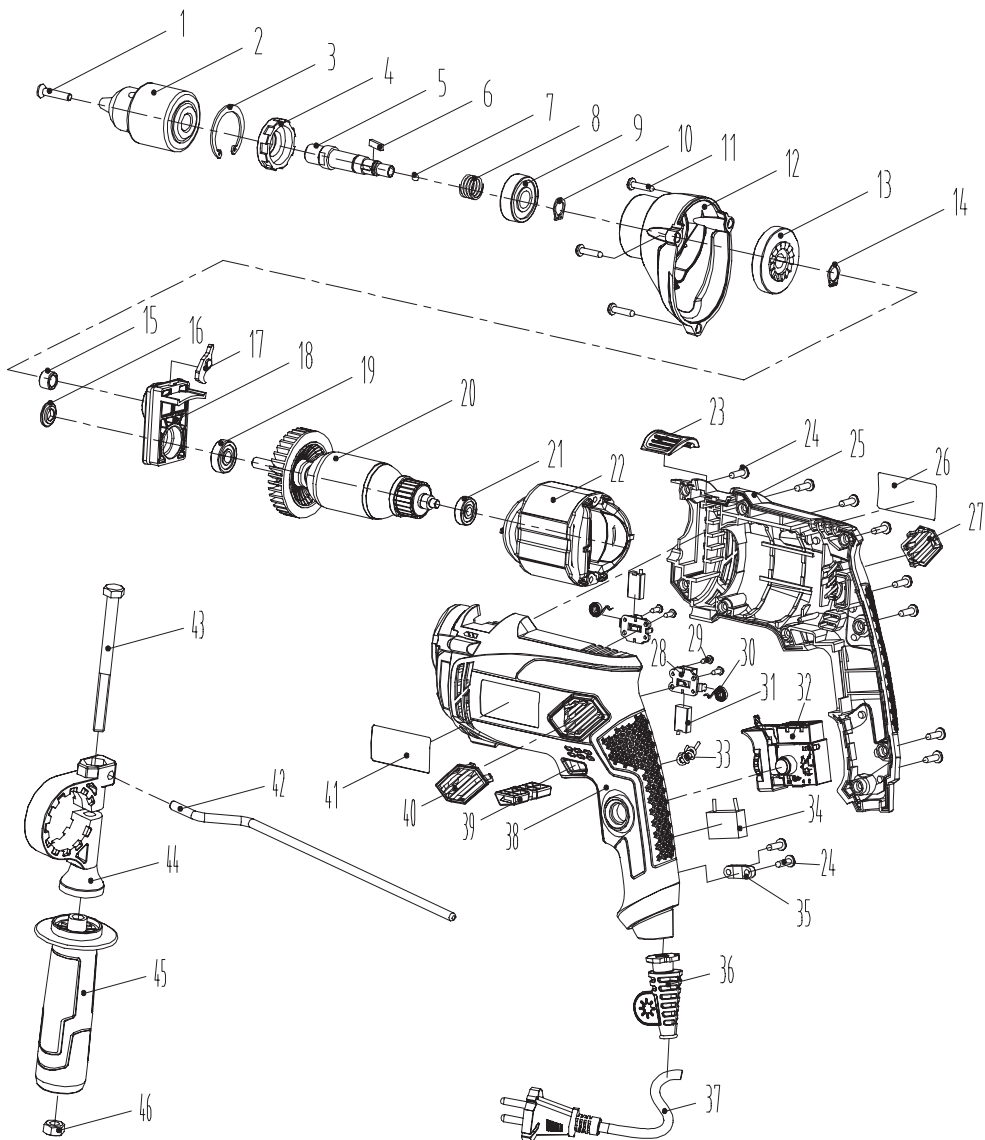


Exploded Drawing of Impact Drill RDP-ID42



Parts list of Impact Drill RDP-ID42



No.	Partname	Qt.	No.	Partname	Qt.
1	Negater head screw M5×25	1	24	Tapping screw ST4. 2×16	11
2	Collet 13mm	1	25	Right housing case	1
3	Circlip for hole 35	1	26	Nameplate	1
4	Dust ring	1	27	Left part	1
5	Output Spindle	1	28	Brush holder cover	2
6	key 3×8	1	29	Tapping screw ST2.9×9.5	4
7	Steel ball Φ5	1	30	Disc spring	2
8	Impact spring	1	31	Carbon brush	2
9	Bearing 6201-2RS	1	32	Switch	1
10	Circlip for shaft 12	1	33	Inductance 80 μH	2
11	Tapping screw ST4. 2×19	3	34	Capacitor 0.33 μF	1
12	Shuck for caput	1	35	Cable clip	1
13	Big gear	1	36	Cable jacket	1
14	Circlip for shaft 10	1	37	Cable	1
15	bearing (Φ8XΦ12X8)	1	38	Left housing case	1
16	Oiltight ring	1	39	Shove pole	1
17	Transmission fork	1	40	Right part	1
18	Middle block	1	41	Trademark	1
19	Bearing 608-2RS	1	42	Ruler	1
20	Rotor	1	43	Screw M8X100	1
21	Bearing 626-2Z	1	44	Handle seat	1
22	Stator	1	45	Handle	1
23	Impact knob	1	46	Nut M8	1